

P7620C

Differential Pressure Transmitters/Transducers

PRODUCT DATA



FEATURES

- Fluid and Gas applications
- Built-in Amplifier
- High level current/voltage output signal
- EMI/RFI protected
- Compact construction
- Shock and vibration resistance
- Zero and span adjustments
- False system shutdown prevention

SPECIFICATIONS

Performance characteristics:

Accuracy at 25°C: $\leq \pm 0.5\%$ F.S

Stability at 25°C: $\leq 0.4\%$ F.S./year

Thermal Effect See the Model Selection

Environment characteristics:

Media temperature range: -25...+85°C

Ambient temperature range: 0... +70°C

Storage temperature range: -25... +85°C

Compensated range: -40... +135°C

Weatherproof rating: IP 65

GENERAL

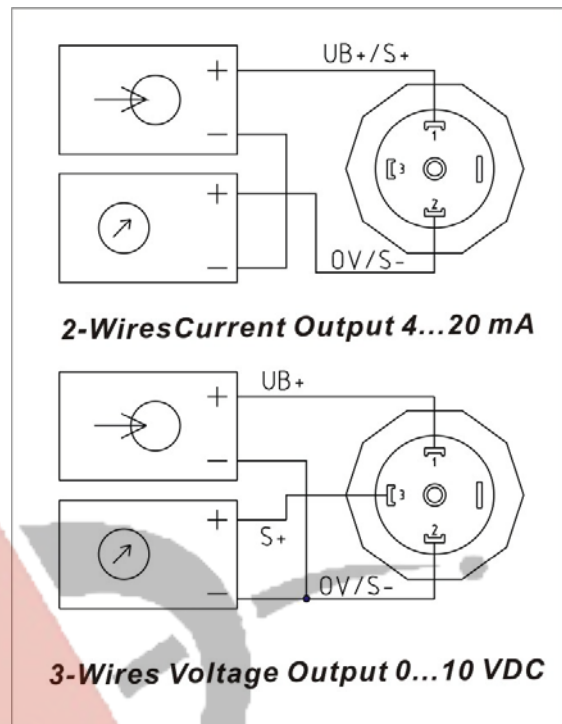
The P7620C ceramic cell differential pressure transmitters and transducers have been designed for most industrial pressure measurement applications at high quality performance and precision accuracy requirement including fluids and gases. The ceramic cell and metallic wetted parts can be compatible with majority of aggressive process fluids. The output signal of the sensing bridge is converted to be a standardized current or voltage signal through surface mount technology circuit board. This high level signal output with very low noise system is packaged in a rugged stainless steel housing to resist the harsh and extreme environment conditions.



Physical characteristics:

Housing:	304 stainless steel
Connection:	1/8"PT-F
Ceramic Sensor:	Aluminum Oxide Al ₂ O ₃ (96%)
Seal Material:	Vition
Fitting:	6mm Tube Connection
Electrical Connector:	Terminal Box to DIN43650
Proof Pressure	See the Model Selection

WIRING



Note: The wetted parts including fitting, sensor and sealing will be contacted with the media directly.

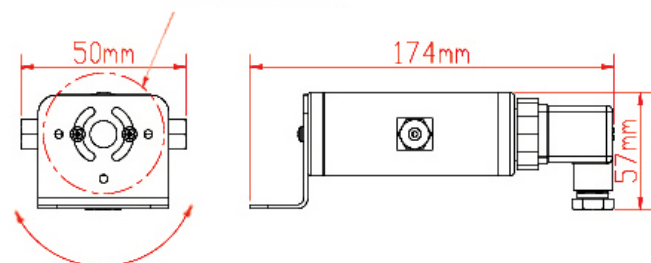
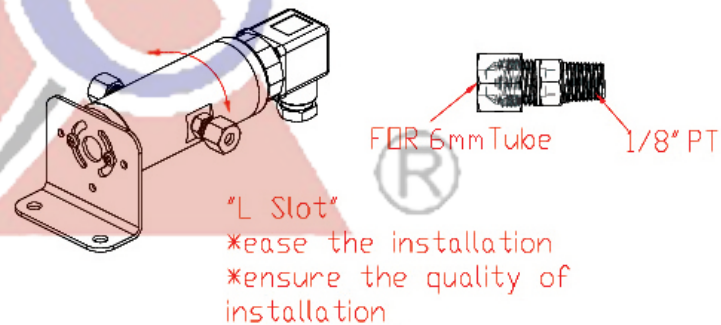
Electrical Data (Current Output):

Output Signal:	4-20mA (2 Wire)
Power	10-32 VDC Normal 24 VDC
Load Resistance:	$\leq (\text{supply voltage} - 10V) / (0.02A)$ Ohms

DIMENSION

Electrical Data (Voltage Output):

Output Signal:	0-10VDC (3 Wires)
Power	15-32 VDC Normal 24 VDC
Load Resistance:	>10K Ohms



APPLICATIONS

- Industrial OEM equipments
- Liquid Level Measurement
- Compressor controls
- Pneumatic systems
- Pump applications
- HVAC systems
- Energy and water managements



OPTIONS

The local LED display with the analog current/voltage output and limit switch is available on option. The indicator allows programming via the front panel buttons. It can configure the display parameters (decimal point position, damping, etc.) and switching output (set point, hysteresis, etc.). The measured minimum and maximum values also can be indicated. Furthermore, an access protection can be activated in the menu system.

mounting, it is possible to retrofit the plug-in indicator even to pressure transmitters which are already in use.



**P7620-LED-A(4-20mA)
P7620-LED-B(0-10V)**

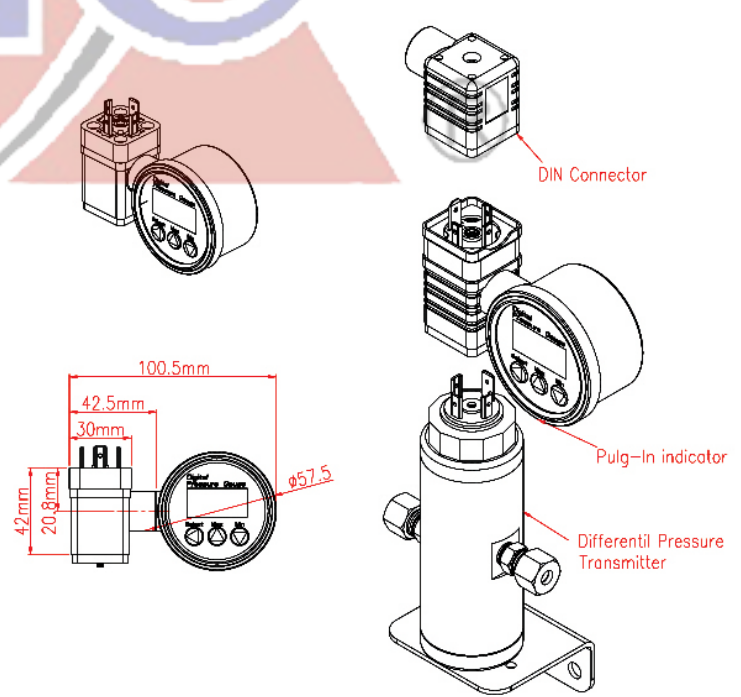
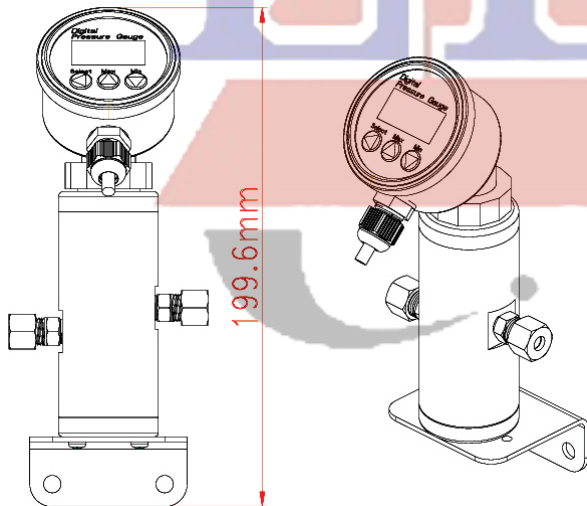
Accuracy
<± 0.2% F.S. 1 digit

Range
<± 0.4% F.S.

Thermal Effect
<± 0.1% F.S.

Ambient Temperature Range
0.....50 °C

Storage Temperature Range
-20.....70 °C



ACCESSORIES

The plug-in LED indicator provides an ideal solution for a local display with simultaneous signal transmitter body and the DIN connector without the additional wiring or power source. Due to its universal programmability and easy



MODEL SELECTION

P 7 6 2 0 C X X X X X - X - X X

Temperature effect

FS%/C

Pressure Range(Max Pressure in one side port)

0....1 Bar(H-Port<2 Bar, L-Port<2 Bar)	0 0 1 0	TC-0<0.04%
0....1 Bar(H-Port<4 Bar, L-Port<4 Bar)	0 0 1 2	TC-0<0.08%
0....1.6 Bar(H-Port<3.2 Bar, L-Port<3.2 Bar)	0 0 1 6	TC-0<0.04%
0....1.6 Bar(H-Port<10 Bar, L-Port<10 Bar)	0 0 1 8	TC-0<0.08%
0....2.5 Bar(H-Port<5 Bar, L-Port<5 Bar)	0 0 2 5	TC-0<0.04%
0....2.5 Bar(H-Port<10 Bar, L-Port<10 Bar)	0 0 2 7	TC-0<0.08%
0....4 Bar(H-Port<8 Bar, L-Port<8 Bar)	0 0 4 0	TC-0<0.04%
0....4 Bar(H-Port<20 Bar, L-Port<12 Bar)	0 0 4 2	TC-0<0.08%
0....6 Bar(H-Port<12 Bar, L-Port<12 Bar)	0 0 6 0	TC-0<0.04%
0....6 Bar(H-Port<20 Bar, L-Port<12 Bar)	0 0 6 2	TC-0<0.08%
0....10 Bar(H-Port<20 Bar, L-Port<12 Bar)	0 1 0 0	TC-0<0.04%
0....16 Bar(H-Port<32 Bar, L-Port<12 Bar)	0 1 6 0	TC-0<0.04%
0....25 Bar(H-Port<50 Bar, L-Port<12 Bar)	0 2 5 0	TC-0<0.04%

Output Signal

- 4-20mA...2 Wire
- 0-10VDC...3 Wire

A
B

Specific Application

- Acid corrosive media applications
- Ammonia and freon applications
- Local LED display

S V
A N
L E

Accessories:

- P/N:P7620-LED-A...(4-20mA)
- P/N:P7620-LED-B...(0-10V)

