

V5013P THREE-WAY THREADED GLOBE VALVE

SPECIFICATION DATA



Features

- Bronze body with BSPT-threaded connections.
- Stainless steel stem and brass plug.
- Low seat leakage rate (≤ 0.05 percent of K_{vs}).
- Spring-loaded, self-adjusting packing.
- Accurate positioning to ensure state of the art temperature control.
- Sizes range from 1-1/4 in. to 2 in.

Specifications

Action:	Stem up to close port A-AB
Nominal pressure rating:	20 bar (300 psi)
Flow characteristic:	See Fig. 2 Equal percentage port A-AB Linear port B-AB
Rangeability:	50:1
Leakage rate:	$\leq 0.05\%$ of k_{vs}
Stroke:	20 mm
Valve body:	
Pipe connections:	Internal BSPT-threaded
Material:	Bronze
Dimensions:	See Fig. 1
Trim:	
Seat:	Integral brass (upper) Replaceable brass (lower)
Plug:	Brass
Stem:	Stainless steel
Packing:	Spring loaded carbon fiber reinforced PTFE V-rings
Medium temperature and pressure:	Water
	2 to 120 °C max. 20 bar
	120 to 170 °C max. 12.8 bar

Application

Three port mixing control valves for:

- hot water
- chilled water
- Domestic Hot Water

in Heating, Ventilating, Air Conditioning Systems,
Open Circuits

To be operated by

- electric linear actuators as
ML 6420 / 25
ML 7420 / 25
M 6421
M 7421

Sizes and flow capacities

Order Number	Valve size	K _{Vs}
V5013P1002	DN32	16
V5013P1010	DN40	25
V5013P1028	DN50	40

Installation

Water should meet VDI2035 requirements.

Do not install valve with stem below the horizontal.

Fluid flow must correspond with the arrow direction on the valve body.

The installation of a strainer is strongly recommended.

Spare Parts

Repair packing kit

DN32: Order number 88609014-1

DN40...50: Order number 88609014-2

Close-off Pressure Ratings in kPa

Electric Actuators

Actuator		Valve size					
Type	Force	DN15	DN20	DN25	DN32	DN40	DN50
ML6420 / ML6425 ML7420 / ML7425	600N	1600	1600	1000	700	460	260

Dimensions

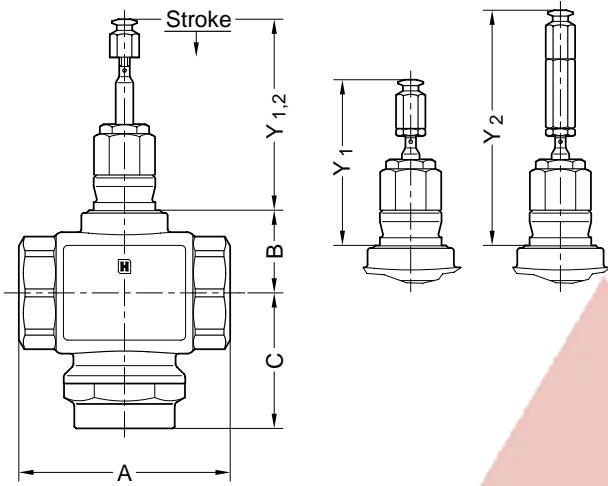


Fig. 1

Valve Size	A	B	C	Y ₁	Y ₂ *
				Stem up	
DN32	106	40	73	107	151
DN40	120	46	77		
DN50	134	46	84		

For Actuator dimensions please refer to:

- ML6420 / ML6425 ENOC-0623
- ML7420 / ML7425 ENOC-0624

Flow characteristic

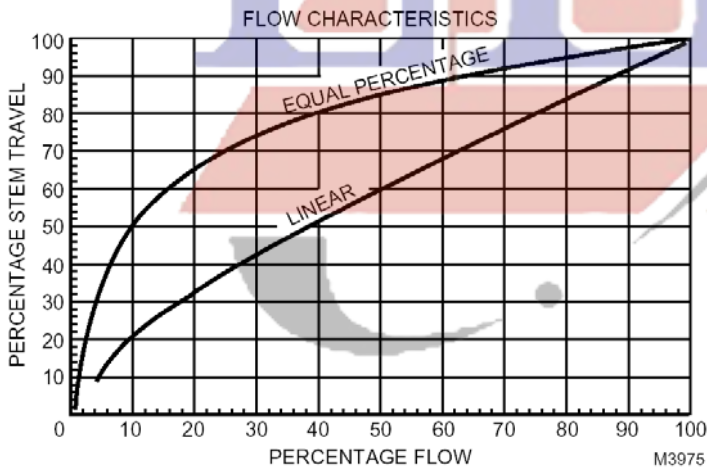


Fig. 2. Equal percentage and linear flow characteristics.



Honeywell

Automation and Control Solutions

Honeywell Taiwan Ltd.
10F, 168 Lien Cheng Road
Chung Ho City, Taipei County, Taiwan
Phone: +886-2-2245 1000
Fax: +886-2-2245 3241

Subject to change without notice. Printed in Taiwan