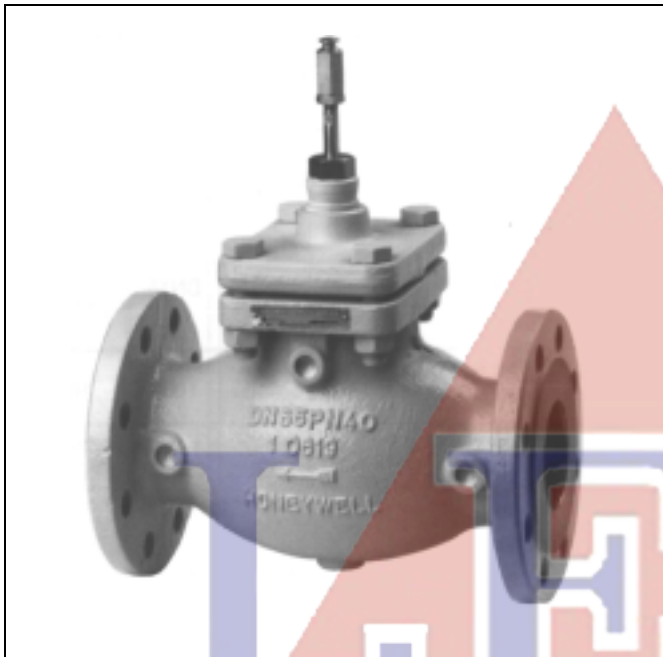


V5088A_S

FLANGED LINEAR VALVE PN16 HIGH CLOSE-OFF PRESSURE RATING

SPECIFICATION DATA



FEATURES

- New designed packing materials for steam application up to 180 C
- Cast steel body with flanged end connections
- High Close-off Pressure Rating (1000kPa) Low seat leakage rate
- Metal to metal seating for long life span
- Self adjusting packing
- Accurate positioning to ensure state of the art temperature control
- Directly coupled electric and pneumatic actuators for easy mounting
- Approved according to DIN 32730

SPECIFICATIONS

Action	Stem down to close
Nominal pressure rating	PN16
Plug	Pressure balanced plug
Flow characteristic	Equal percentage
Rangeability	50:1
Leakage rate	≤0.03 % of k_{VS}
Stroke	38 mm

Valve body	
End connections	Flanged per ISO 7005-2
Material	Stainless steel (SS304)

Dimensions	See Fig. 1
-------------------	------------

Trim	
Seat	Stainless steel, replaceable
Plug	Stainless steel, skirt guided
Stem	Stainless steel

Packing	Spring loaded PTFE V-rings
----------------	----------------------------

Medium temperature and pressure

Water & Steam	
PN16	2 ... 120 °C: max. 1600 kPa 120 ... 180 °C: max. 1280 kPa

GENERAL

These single seated valves are used for modulating control of hot or chilled water or steam in heating, ventilating and air conditioning systems and can be operated by electric linear actuators as ML6421, ML7421, or by pneumatic actuators MP953.

SIZES AND FLOW CAPACITIES

Order Number	Application	Valve Size		k _{vs}
V5088A1005-S	Water	PN16	DN100	160
V5088A2003-S	Steam			
V5088A1013-S	Water	PN16	DN125	250
V5088A2011-S	Steam			
V5088A1021-S	Water	PN16	DN150	360
V5088A2029-S	Steam			

ACTUATORS

Electric actuators

Actuator (1800N)	Valve Size
ML6421B ML7421B	DN100 - DN150

Pneumatic actuators

Model	Valve Size	Direct Acting	Positioner
MP953A	DN100 -	V	yes
MP953C	DN150	V	no

INSTALLATION

- Water should meet VDI 2035 requirements.
- Do not install valve with stem below the horizontal.
- Fluid flow must correspond with the arrow direction on the valve body.
- The installation of a strainer is strongly recommended.

CLOSE OFF PRESSURE RATINGS IN kPa

Electric actuators

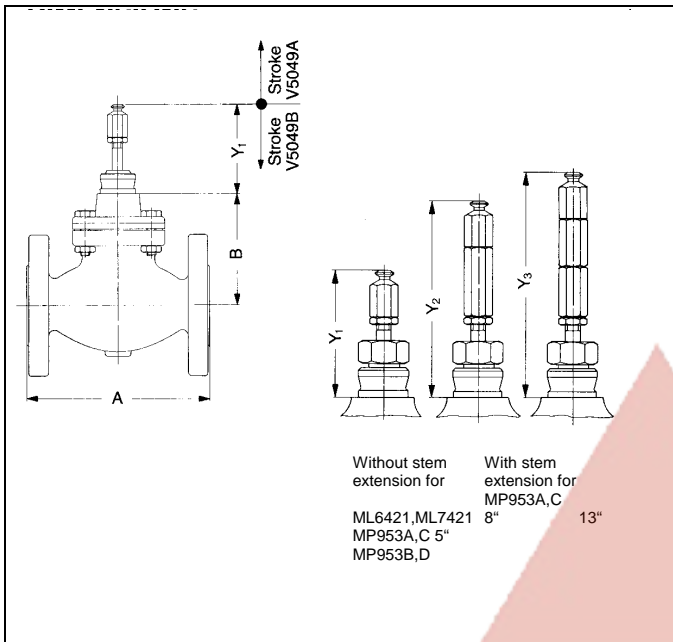
Actuator		Valve Size		
Model	Force	DN100 (k _{vs} 140)	DN125 (k _{vs} 220)	DN150 (k _{vs} 310)
ML6421B, ML7421B	1800 N	1000	1000	1000

Pneumatic actuators

Actuator Model	Valve Size		
	DN100	DN125	DN150
MP953A,C	1000	1000	1000

DIMENSIONS (mm)

Valve



Valve Size	A	B	Adjustment Dimension		
			Y1	Y2	Y3
100	350	181	170	-	227
125	400	219			
150	480	219			

Valve in closed position

Fig. 1 V5088A

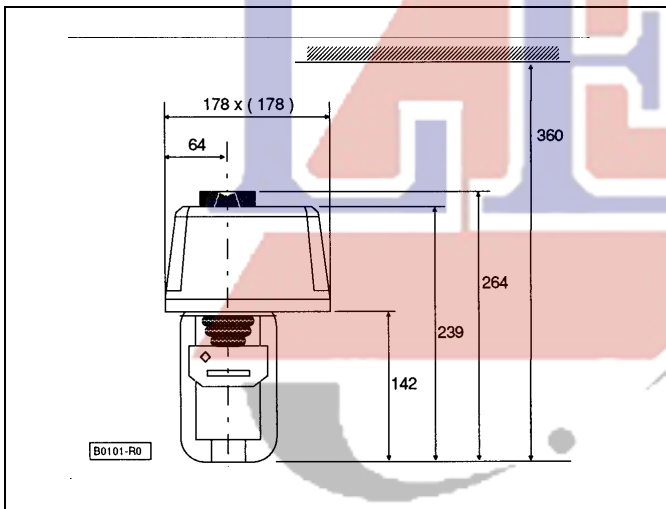


Fig. 2 ML6421A, ML7421A

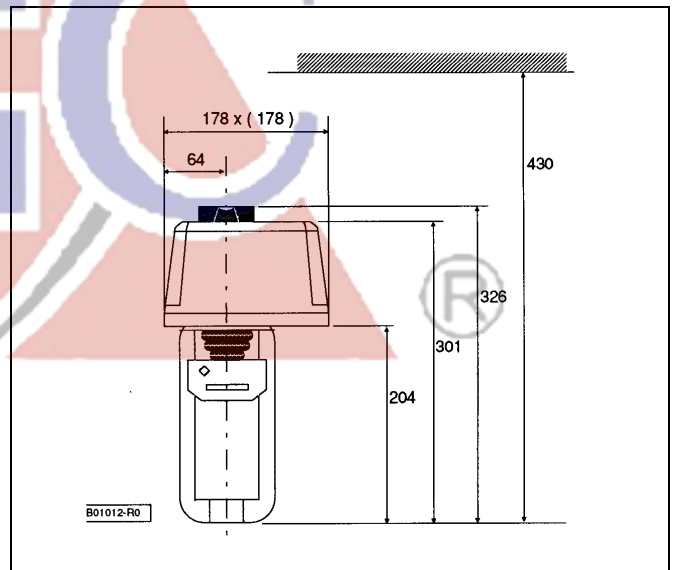


Fig. 3 ML6421B, ML7421B