

V5328/V5049

FLANGED LINEAR VALVE PN16 DN50~ DN150
HIGH CLOSE-OFF PRESSURE RATING

SPECIFICATION DATA

FEATURES

- Iron body with flanged end connections
- Low seat leakage rate
- High Close-off Pressure Rating (1000kPa)
- Metal to metal seating for long life span
- Self adjusting packing
- Accurate positioning to ensure state of the art temperature control
- Easy mounting of direct coupled electric and pneumatic actuators
- Approved according to DIN 32730

SPECIFICATIONS

Action	Stem down to close
Nominal pressure rating	PN16
Plug	Pressure balanced plug
Flow characteristic	Equal percentage
Rangeability	50:1
Leakage rate	≤0.02 % of k_{VS}
Stroke	V5328/20mm V5049/38mm
Valve body	
End connections	Flanged per ISO 7005-2
Material	Cast iron (GG25)
Dimensions	See Fig. 1
Trim	
Seat	Stainless steel, replaceable
Stem	Stainless steel
Plug	Stainless steel, skirt guided
Packing	Glyd Rings (EPDM+PTFE+25%G.F.)
Medium temperature and pressure	2...120 °C; max. 1600 kPa 120...150 °C; max. 1400 kPa 150...170 °C; max. 1370 kPa
Maximum temperature differential in alternating hot/cold water use	60 K



GENERAL

These single seated valves are used for on/off or modulating control of hot /chilled water in heating, ventilating and air conditioning systems.

The valves can be operated by ML series linear actuators.

SIZES AND FLOW CAPACITIES

Order Number	Valve Size	kvs
V5328A1096-2	DN50	40
V5328A1104-2	DN65	63
V5328A1112-2	DN80	100
V5049A1201-2	DN100	160
V5049A1219-2	DN125	250
V5049A1227-2	DN150	360

REPAIR PACKING KIT

Part No:
 88609025 for V5328 DN50~ 80
 88609023 for V5049 DN100 ~150

ACTUATORS

Electric actuators

Stem Force/Actuator		
600 N	600 N Spring Return	1800 N
ML6420A ML7420A	ML6425A,B ML7425A,B	M6421A M7421A

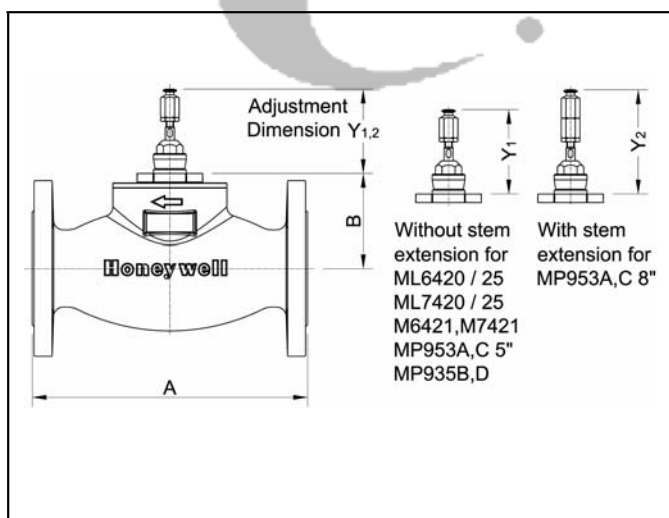
CLOSE OFF PRESSURE RATINGS in kPa

Electric actuators

Actuator		Valve Size					
Model	Force	DN50	DN65	DN80	DN100	DN125	DN150
ML6420 ML6425 ML7420 ML7425	600N	1000	1000	1000	-	-	-
ML6421 ML7421	1800N	1600	1600	1600	1000	1000	1000

DIMENSIONS (mm)

Valve



Valve Size	A	B	Y1 *	Y2 *
DN50	230	100	89	133
DN65	290	100	Valve closed	Valve closed
DN80	310	100	133	190
DN100	350	158	Valve closed	Valve closed
DN125	400	158	133	190
DN150	480	158	Valve closed	Valve closed

* = Adjustment dimension

Fig. 1

Electric actuators

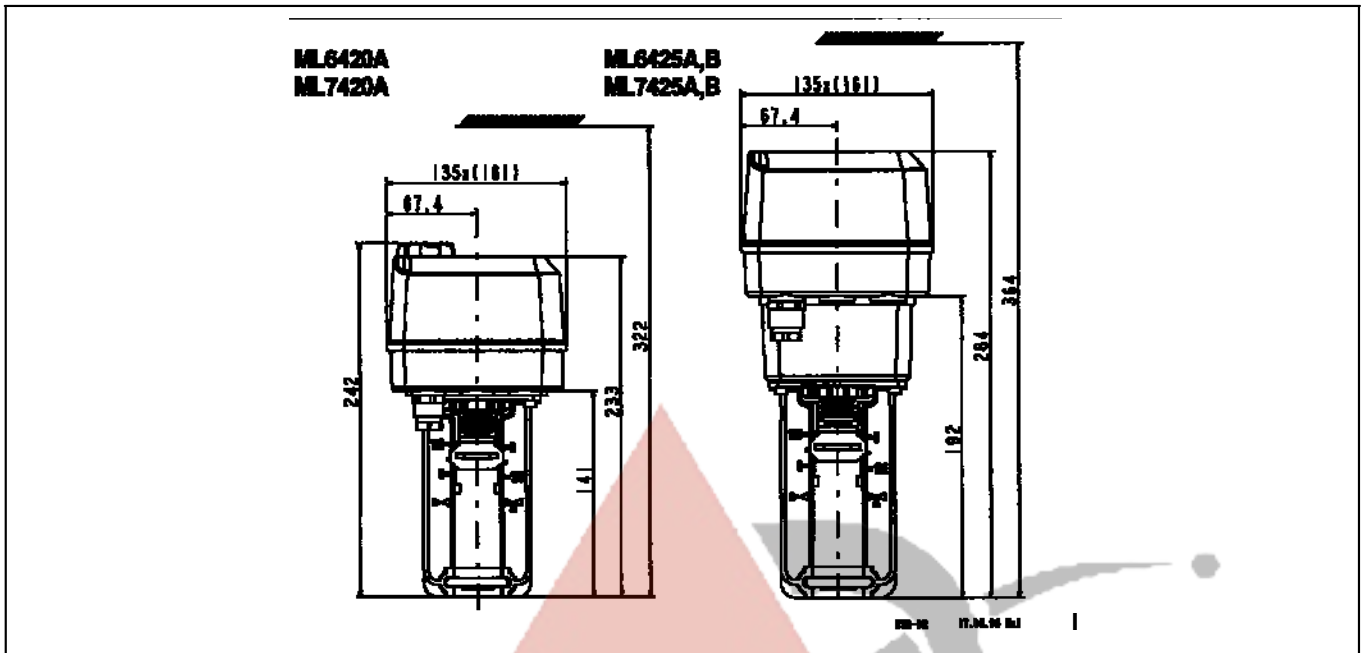


Fig. 3 ML6420A/ML6425A,B and ML7420A/ML7425A,B

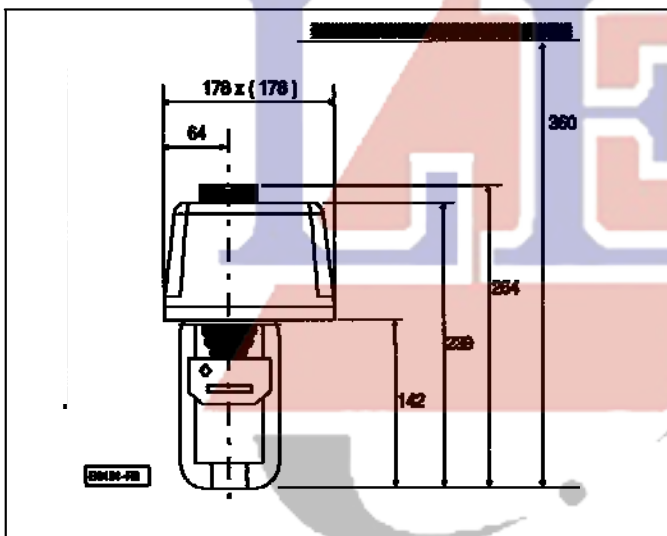


Fig. 4 ML6421/ML7421

