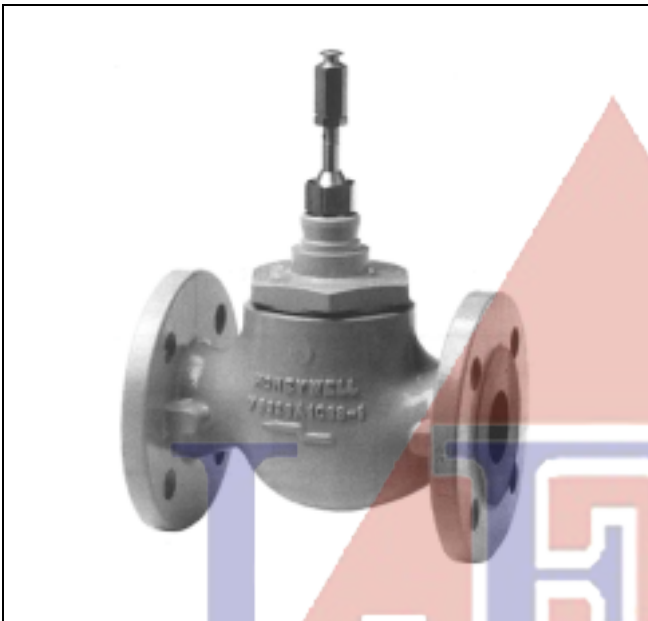


## V5328A\_S

### FLANGED LINEAR VALVE SS304 OR SS316 HIGH CLOSE-OFF PRESSURE RATING

#### SPECIFICATION DATA



#### FEATURES

- Stainless steel body with flanged end connections
- Low seat leakage rate
- High Close-off Pressure Rating (1000kPa)
- Metal to metal seating for long life span
- Self adjusting packing
- Accurate positioning to ensure state of the art temperature control
- Easy mounting of direct coupled electric and pneumatic actuators
- Approved according to DIN 32730

#### SPECIFICATIONS

<b>Action</b>	Stem down to close
<b>Nominal pressure rating</b>	PN16 (ANSI150 JIS10K)
<b>Plug</b>	Pressure balanced plug
<b>Flow characteristic</b>	Equal percentage, $n_{gl} = 3.4$
<b>Rangeability</b>	50:1
<b>Leakage rate</b>	$\leq 0.1\%$ of $k_{VS}$
<b>Stroke</b>	20 mm
<b>Valve body</b>	
End connections	Flanged per ISO 7005-2
Material	SS304 or SS316
<b>Dimensions</b>	See Fig. 1
<b>Trim</b>	
Seat	Stainless steel, replaceable
Stem	Stainless steel
Plug	Stainless steel, skirt guided
<b>Packing</b>	Spring loaded PTFE cone rings
<b>Medium temperature and pressure</b>	2...120 °C; max. 1600 kPa 120...150 °C; max. 1400 kPa 150...170 °C; max. 1370 kPa

#### GENERAL

These single seated valves are used for modulating control of hot / chilled water or steam in heating, ventilating and air conditioning systems.

The valves can be operated by linear actuators ML6420/ML6425 or ML7420/ML7425 or by pneumatic actuators MP953.

## SIZES AND FLOW CAPACITIES

Order Number	Valve Size	k <sub>vs</sub>
V5328A1039-S	15A	5.2
V5328A1054-S	20A	8.6
V5328A1062-S	25A	13.7
V5328A1088-S	40A	33.7
V5328A1161-S	50A	62.6
V5328A1179-S	65A	92.8
V5328A1187-S	80A	127.2

## INSTALLATION

- Water should meet VDI 2035 requirements.
- Do not install valve with stem below the horizontal.
- Fluid flow must correspond with the arrow direction on the valve body.
- The installation of a strainer is strongly recommended.

## ACTUATORS

### Electric actuators

Stem Force/Actuator		
600 N	600 N Spring Return	1800 N
ML6420A ML7420A	ML6425A,B ML7425A,B	ML6421A ML7421A

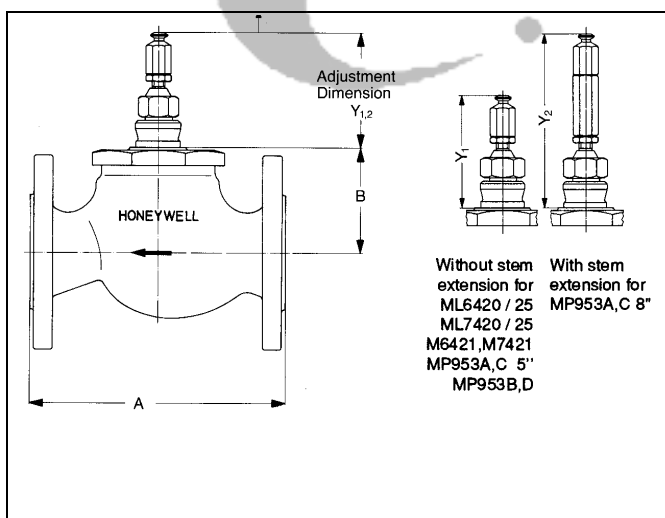
## CLOSE OFF PRESSURE RATINGS in kPa

### Electric actuators

Actuator	Force	Valve Size						
		15A	20A	25A	40A	50A	65A	80A
ML6420A, ML6425A,B ML7420A, ML7425A,B	600 N	1600	1600	1600	1300	1000	1000	1000
ML6421A, ML7421A	1800 N	-	-	-	1600	1600	1600	1600

## DIMENSIONS (mm)

### Valve



Valve Size	A	B	Y <sub>1</sub> *	Y <sub>2</sub> *
15A	184	148	closed	133 Valve close
20A	184	148		
25A	184	148		
40A	222	156.5		
50A	254	167.5		
65A	276	182		
80A	298	188		

\* = Adjustment dimension

Electric actuators

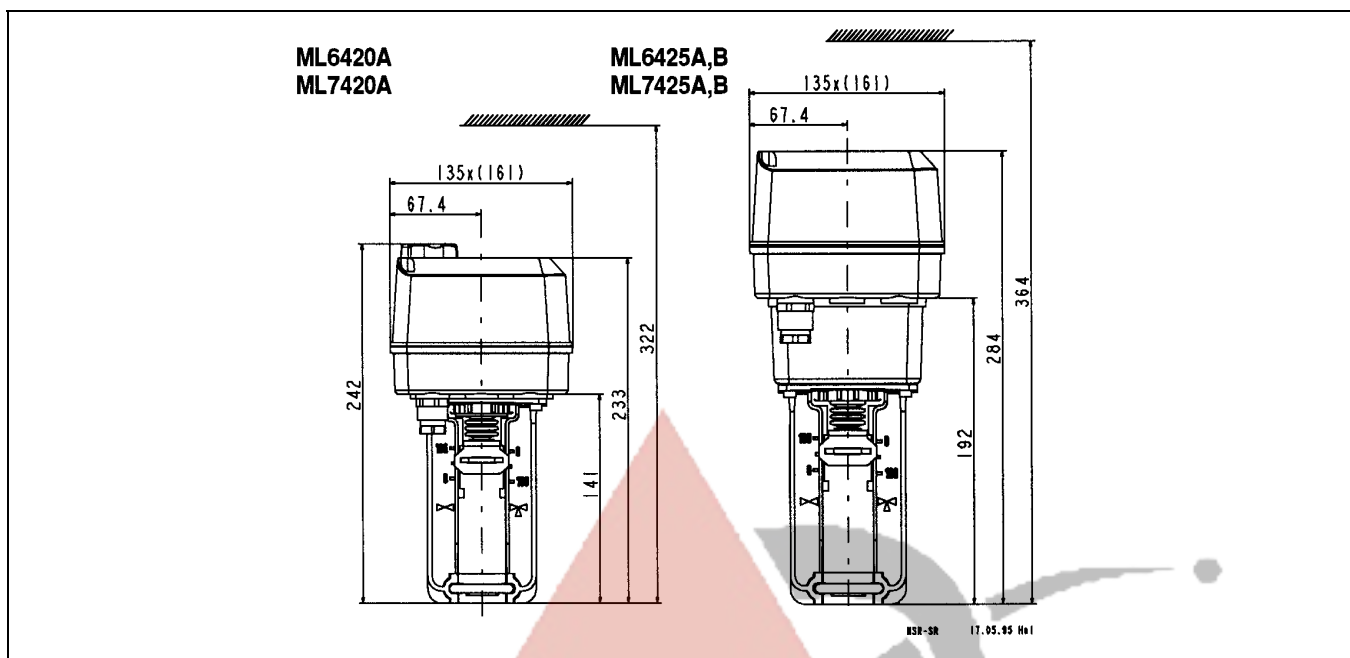


Fig. 3 ML6420A/ML6425A,B and ML7420A/ML7425A,B

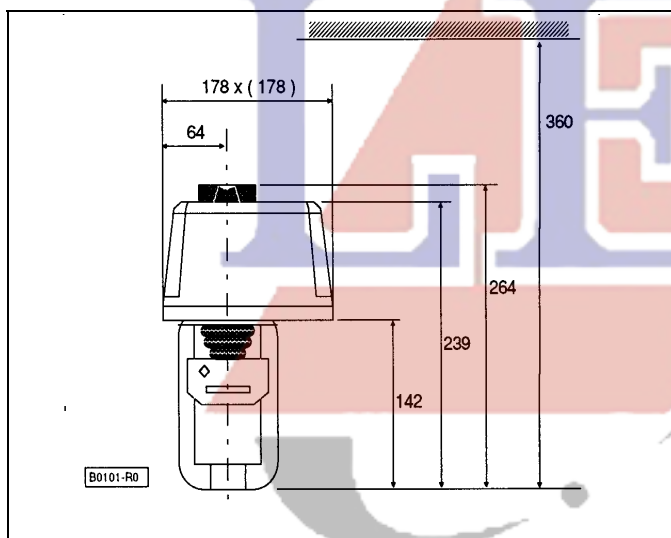


Fig. 4 ML6421A/ML7421A

Actuator O.S. No.	DIN Registration No.
ML6425A3022 ML6425B3013 ML7425A3013 ML7425B3012	1F13995

NOTE: V5328A valves in combination with the following actuators are approved according to DIN 32730:



---

**Honeywell**