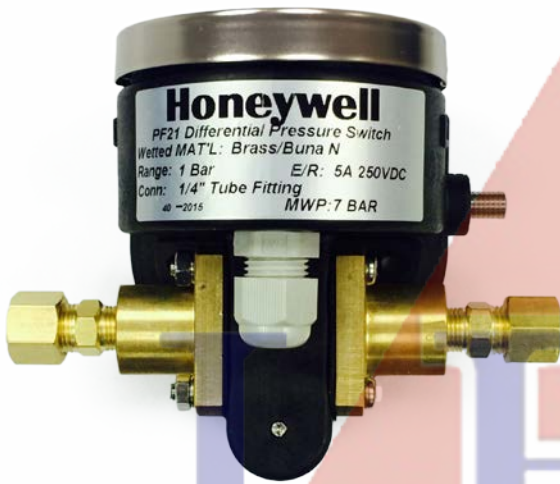


## PF21/PF31 Differential Pressure Switches

PRODUCT DATA

### FEATURES

- Fluid and Gas applications
- Adjustable Switch Setting Point
- Differential Pressure 0.5 to 3.5 Bar
- 5A@125/250 VAC SPDT Switch
- Compact construction
- Shock and vibration resistance
- Terminal block wiring



### SPECIFICATIONS

#### Performance characteristics:

Set Point Repeatability:  $\leq \pm 1.0\%$  F.S

Typical Dead Band  $\leq 0.1$  Bar

Thermal Effect:  $\pm 0.3\%$  F.S for 12°C

#### Environment characteristics:

Media temperature range: -25...+100°C

Ambient temperature range: 0... +70°C

Storage temperature range: -25... +85°C

Weatherproof rating: IP54

### GENERAL

The PF21 differential pressure switches have been designed for most industrial pressure measurement applications where considering the quality performance, reliability and low cost. The separated diaphragm design and brass connection can be used for gas and liquid applications.

The precision snap-acting switches provide a narrow dead band and repeatability. A convenient, externally accessible adjustment screw is multi-turn to provide easy set point adjustability.

Unit: BAR

Model	Adjustable Range	Factory Switch Setting	Typical Deadband	Max. Working Pressure (HP>LP)	Wt.(kg)
PF21	0.5Bar...2.5Bar	1 Bar	0.2 Bar	7 Bar	0.46 to 0.63
PF31	2.5Bar...3.5Bar	3 Bar	0.3 Bar	10 Bar	

**Physical characteristics:**

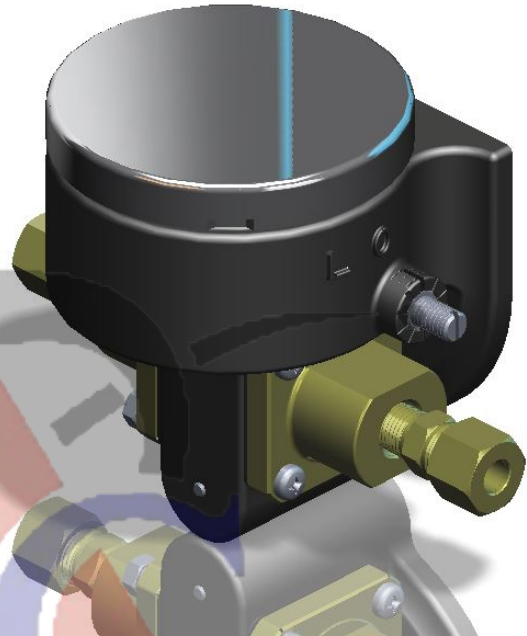
Material:	Brass
Connection:	1/8"PT-F
Diaphragm Seal:	Buna N
Mounting:	Surface mount
Fitting:	Tongren 1/4" Tube
Electrical Connector:	Cable Gland
Proof Pressure	10Bar

- Improve efficiency by alerting operator of problem conditions for heat exchangers.
- Valve backflow prevention to ensure the safety of public water supply.
- Filter/Strainer monitoring in water purification systems.

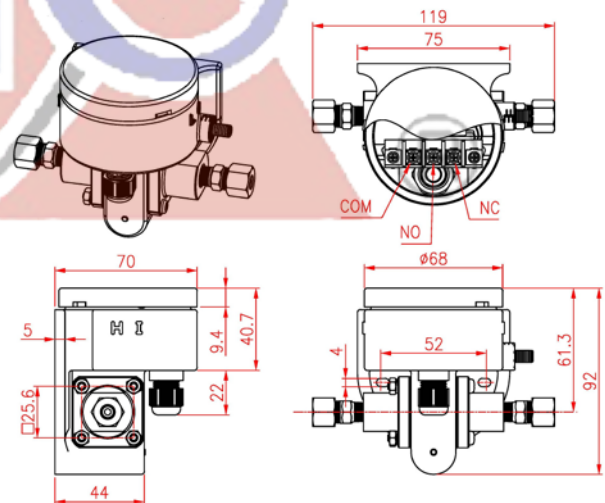
**Note:** The wetted parts including fitting, diaphragm and sealing gasket will be contacted with the media directly. Before installation, please check the wetted parts selected for compatibility to the process media.

**Electrical Data :**

Switch Output:	SPDT precision snap-action micro-switch
Rating:	Rated to 5 A resistive and 5 A inductive (75% PF) at 125 VAC and 250 VAC



**DIMENSION**



**APPLICATIONS**

- Pressure differential between bottom and top of pressurized tank for liquid level measurement.
- Differential pressure on venture, orifice or other primary flow elements for flow rate measurement.
- Pump monitoring for hydronic heating and cooling systems in buildings.