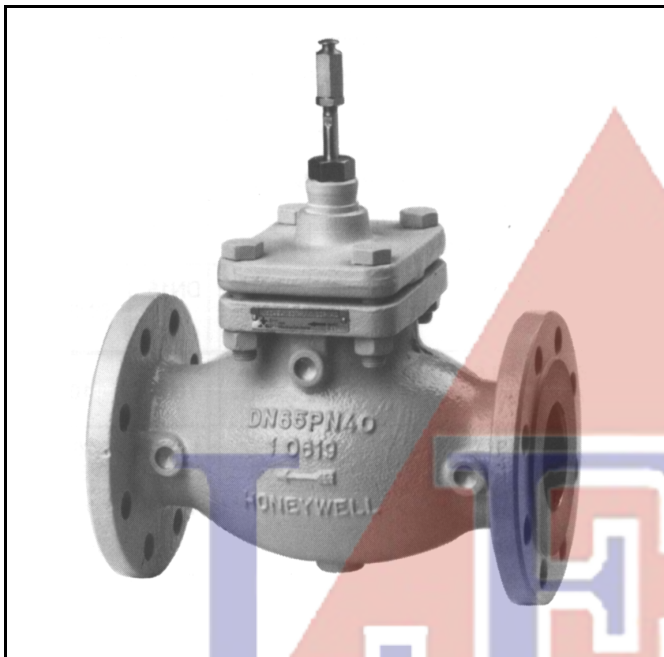


V5088A

FLANGED LINEAR VALVE PN16 HIGH CLOSE-OFF PRESSURE RATING

SPECIFICATION DATA



GENERAL

These single seated valves are used for modulating control of hot or chilled water or steam in heating, ventilating and air conditioning systems and can be operated by electric linear actuators as ML6421, ML7421, or by pneumatic actuators MP953.

FEATURES

- Cast iron body with flanged end connections
- High Close-off Pressure Rating (1000kPa) Low seat leakage rate
- Metal to metal seating for long life span
- Self adjusting packing
- Accurate positioning to ensure state of the art temperature control
- Directly coupled electric and pneumatic actuators for easy mounting
- Approved according to DIN 32730

SPECIFICATIONS

Action	Stem down to close
Nominal pressure rating	PN16
Plug	Pressure balanced plug
Flow characteristic	Equal percentage
Rangeability	50:1
Leakage rate	≤0.1 % of K_{VS}
Stroke	38 mm
Valve body	
End connections	Flanged per ISO 7005-2
Material	Cast iron (GG25) for PN16
Dimensions	
	See Fig. 1
Trim	
Seat	Stainless steel, replaceable
Plug	Stainless steel, skirt guided
Stem	Stainless steel
Packing	
	Spring loaded PTFE V-rings
Medium temperature and pressure	
PN16	2 ... 120 °C: max. 1600 kPa
	120 ... 150 °C: max. 1440 kPa
	150 ... 200 °C: max. 1280 kPa
	200 ... 220 °C: max. 1200 kPa

SIZES AND FLOW CAPACITIES

Order Number	Valve Size		kvs
	PN16	DN100	
V5088A1005	PN16	DN100	160.00
V5088A1013	PN16	DN125	250.00
V5088A1021	PN16	DN150	360.00

ACTUATORS

Electric actuators

Actuator (1800N)	Valve Size
ML6421B ML7421B	DN100 - DN150

INSTALLATION

- Water should meet VDI 2035 requirements.
- Do not install valve with stem below the horizontal.
- Fluid flow must correspond with the arrow direction on the valve body.
- The installation of a strainer is strongly recommended.

Pneumatic actuators

Actuator		Valve Size	Direct Acting	Positioner
Model	Size			
MP953A	13"	DN100 -	x	yes
MP953C	13"	DN150	x	no

REPAIR PACKING KIT

Part No.

88609023 for Water
88609024 for Steam

CLOSE OFF PRESSURE RATINGS IN kPa

Electric actuators

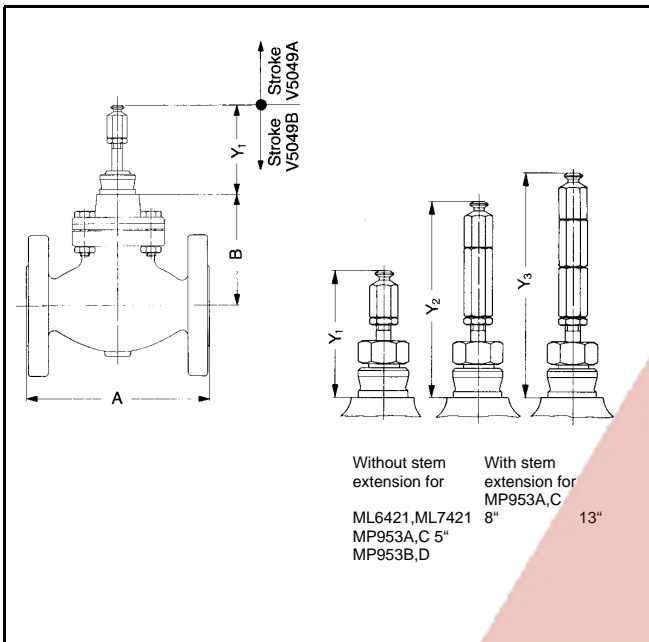
Actuator		Valve Size		
Model	Force	DN100 (kvs 140)	DN125 (kvs 220)	DN150 (kvs 310)
ML6421B, ML7421B	1800 N	1000	1000	1000

Pneumatic actuators

Actuator Model	Actuator Spring Range	Air Pressure in Actuator	Closed Valve Seat	Valve Size		
				DN100	DN125	DN150
MP953C; (13")	14-48 kPa (2-7 PSI)	0 kPa	upper	1000	1000	1000
MP953A,C; (13")	14-48 kPa (2-7 PSI)	115 kPa	lower	1000	1000	1000

DIMENSIONS (mm)

Valve



Valve Size	A	B	Adjustment Dimension		
			Y1	Y2	Y3
100	350	181	170	-	227
125	400	219			
150	480	219			

Valve in closed position

Fig. 1 V5088A

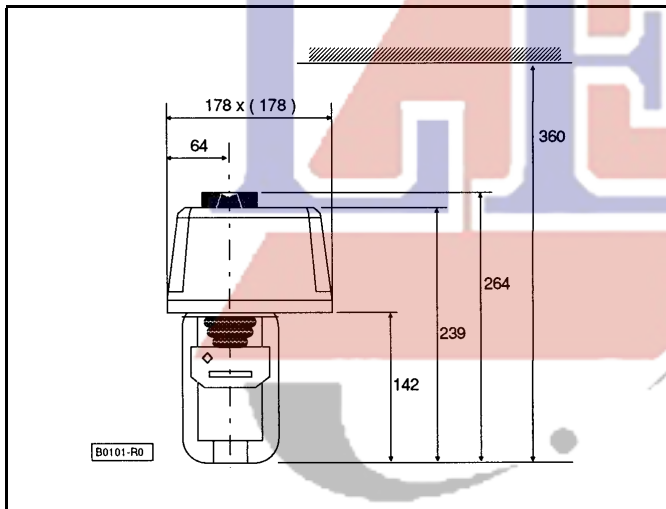


Fig. 2 ML6421A, ML7421A

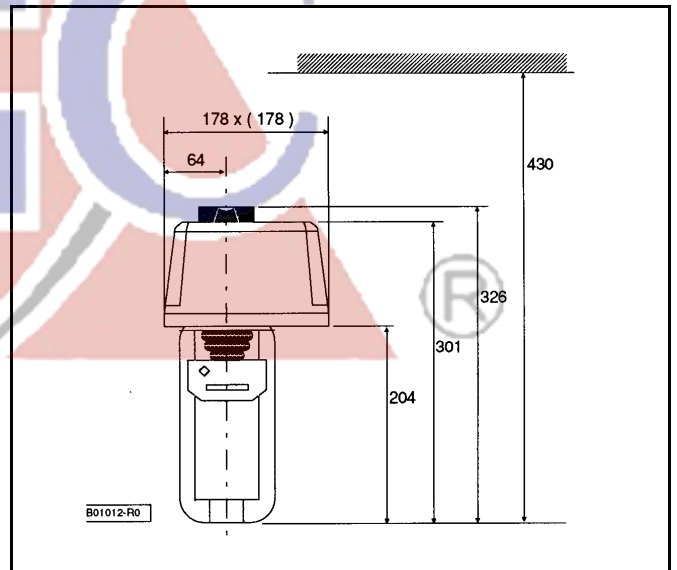


Fig. 3 ML6421B, ML7421B



Honeywell

Home and Building Control Products

Honeywell Regelsysteme GmbH
Honeywellstrasse 2-6
D-63477 Maintal
Phone: (49) 6181 4010
Fax: (49) 6181 45456
<http://europe.hbc.honeywell.com>

Subject to change without notice. Printed in Germany

Manufacturing location certified to **DIN EN**
ISO 9001

EN0B-0433GE02 R0299